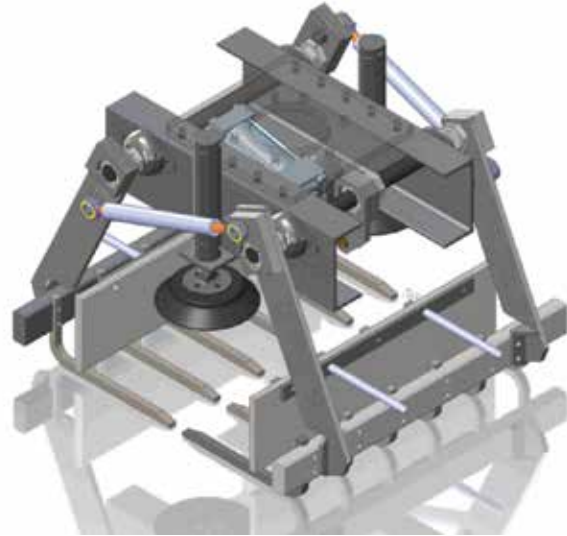


NOVA Automation offers solutions for a wide range of robotic palletizing and packaging applications. Utilizing a wide range of robotic suppliers, NOVA is able to integrate complete system solutions that offer lower capital costs coupled with reduced labor and rapid return on investment. NOVA engineers understand the functional side of robotic applications and can assist you in choosing the right equipment solution tailored to your exact application requirement.

Key Features and Options

- Ideally suited for heavy-duty (5 kg. to 100 kg.) case/box packing applications
- NOVA engineered and designed tooling (EOAT) to handle all types of jugs, pails, bags, buckets, etc.
- Offers superior performance, flexibility and economy of scale when compared to traditional packing equipment
- Configurations to handle from one to four separate packaging lines with a single robotic cell
- Automated tool changers allow for quick changeover between products and container styles
- Precision drive units have no belts or chains and offer repeatable positioning motion to $\pm 0.25\text{mm}$
- Small footprint offers ease of installation in applications previously packed by hand
- Easily interfaced with new or existing packaging and palletizing systems





TECHNICAL SPECIFICATIONS

Product Applications:	Packing/loading of jugs, pails, buckets, bags and other boxed products
Typical Handling Rate:	Up to 3,600 CPH (depending on product and pick/pack pattern)
Maximum Reach:	Varies by robot model
Ambient Temperature:	0° C to 45° C
Noise Level:	75 dB
Weight Capacity:	Up to 300 kg (including EOAT)
E.O.A.T. Available:	Pneumatic, servo, vacuum, fork or application specific design
Control System:	Robot controller with teach pendant and capability to integrate with PLC systems
Approximate Dimensions:	Varies by application and design
Utility Requirements:	230-460-575 VAC (compressed air based on EOAT selected)

The illustrations do not necessarily show the exact design of the products at any given time. The products have to be used in conformity with common practice and all applicable safety regulations. Specifications for products and equipment presented here can be changed without prior notice.

Your Process, Automated.